



TANDEMBOX antaro

TANDEMBOX antaro



New design with a rectangular gallery

It's rectangular gallery rail characterises the new TANDEMBOX antaro.

The colour co-ordination of the components and the clear lines emphasise the simple product design of TANDEMBOX antaro. You can realise numerous applications with the colour-coordinated components.

ORGA-LINE – the inner dividing system from Blum – is also available in TANDEMBOX antaro-customised versions.



Standard drawer - Stainless steel



Pull-out with gallery - Stainless steel



Inner pull-out with gallery - Silk white

TANDEMBOX antaro

Overview

Basic elements and order specification



High fronted pull-out with gallery - height D	4
High fronted pull-out with gallery - height C	7
High fronted pull-out with gallery - height B	13
Drawer - height M	16
Inner pull-out with gallery - height C	10
Inner drawer - height M	18
ORGA-LINE - height C	22

Planning

High fronted pull-out with gallery - height D	6
High fronted pull-out with gallery - height C	9
High fronted pull-out with gallery - height B	15
Drawer - height M	17
Inner pull-out with gallery - height C	12
Inner drawer - height M	20
Accessories – Front stabilisation	21

Assembly, removal and setup

High fronted pull-out with gallery	23
Inner pull-out with gallery	27
Drawer	31
Inner drawer	33
ORGA-LINE - height C	36

Information

Abbreviations	Description
SW	Silk white
IG	Stainless steel
RAL7037	Dust grey
VPEH	Packing unit
NL	Nominal length

TANDEMBOX antaro

High fronted pull-out with gallery - height D

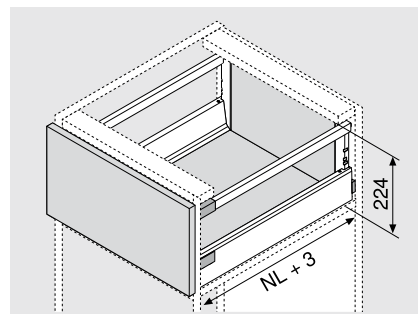
Product



Description

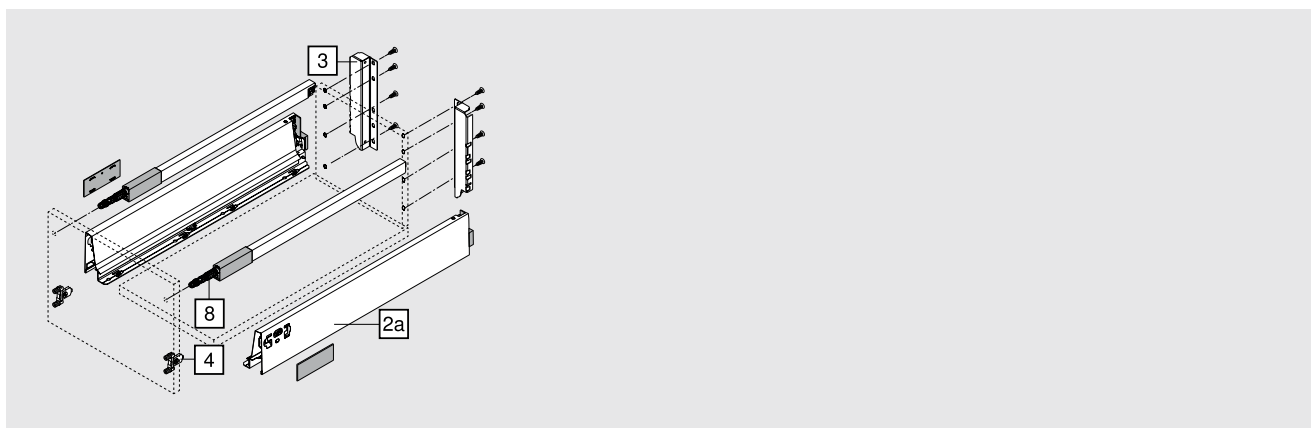
- High fronted pull-out with gallery
- Back height D
- Drawer sides made from epoxy coated steel (silk white) or stainless steel
- 3-dimensional front setting

Space requirement



NL Nominal length

Order specification

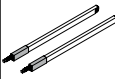


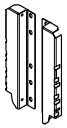
2a	M drawer side in A design left/right		
	Colour variants		SW Stainless steel
	Nominal length	VPEH	Steel
	450 mm	1 / 6	358M4502SA 358M4502IA
	500 mm	1 / 6	358M5002SA 358M5002IA
	550 mm	1 / 6	358M5502SA 358M5502IA


TANDEMBOX antaro


High fronted pull-out with gallery - height D

Order specification

	8 Gallery left/right			
	Colour variants		SW	Stainless steel
	Nominal length		VPEH	Steel
	450 mm	1 / 30	ZRG.387RSIC	ZRG.387RIIC
	500 mm	1 / 30	ZRG.437RSIC	ZRG.437RIIC
550 mm	1 / 30	ZRG.487RSIC	ZRG.487RIIC	

	3 Back fixing left/right			
	Colour variants		SW	Nickel plated
	VPEH		Steel	
	1 / 50	Z30D000S		

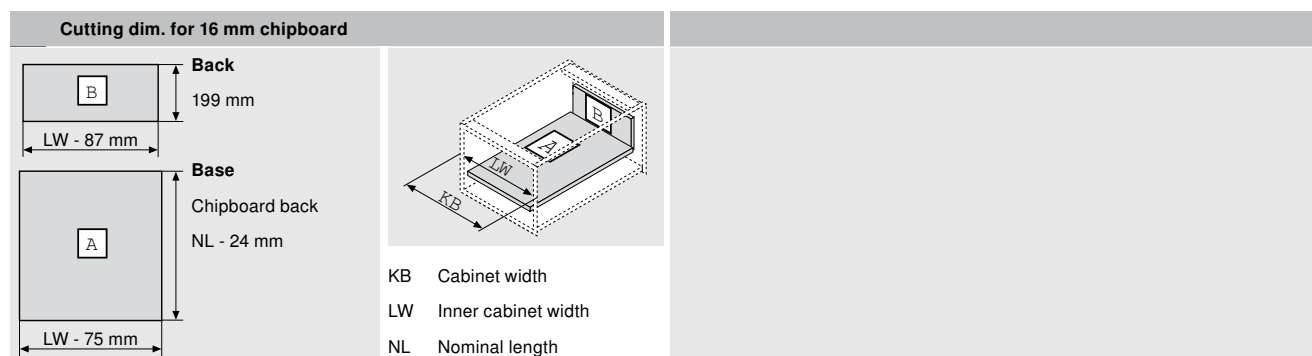
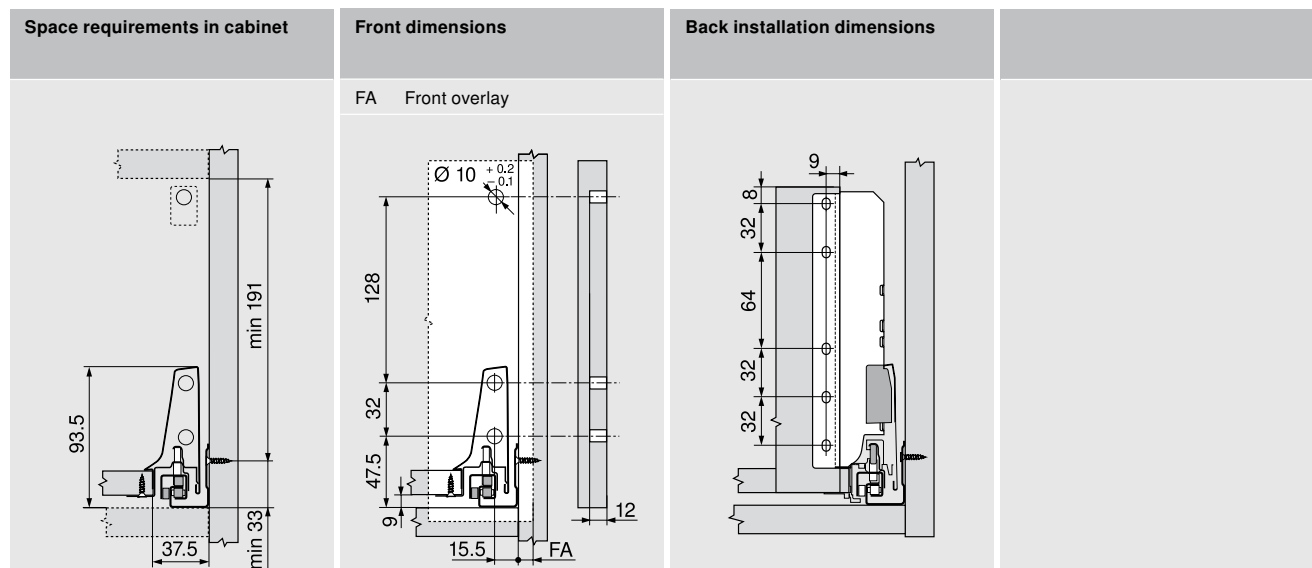
	4 Front fixing brackets for high fronted pull-out			
	VPEH			
	INSERTA version	500	ZSF.3902	
Screw-on version	500	ZSF.3502		

	Front stabilisation			
	- For stabilising wide and high fronts	VPEH		
	- Reinforces the connection between the drawer side and the front	250	Z96.10E1	
Planning				21

TANDEMBOX antaro

High fronted pull-out with gallery - height D

Planning



Page instructions	
Assembly, removal and setup	23

TANDEMBOX antaro

High fronted pull-out with gallery - height C

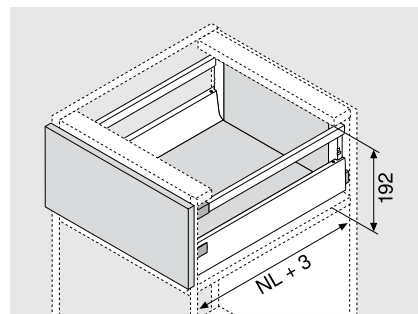
Product



Description

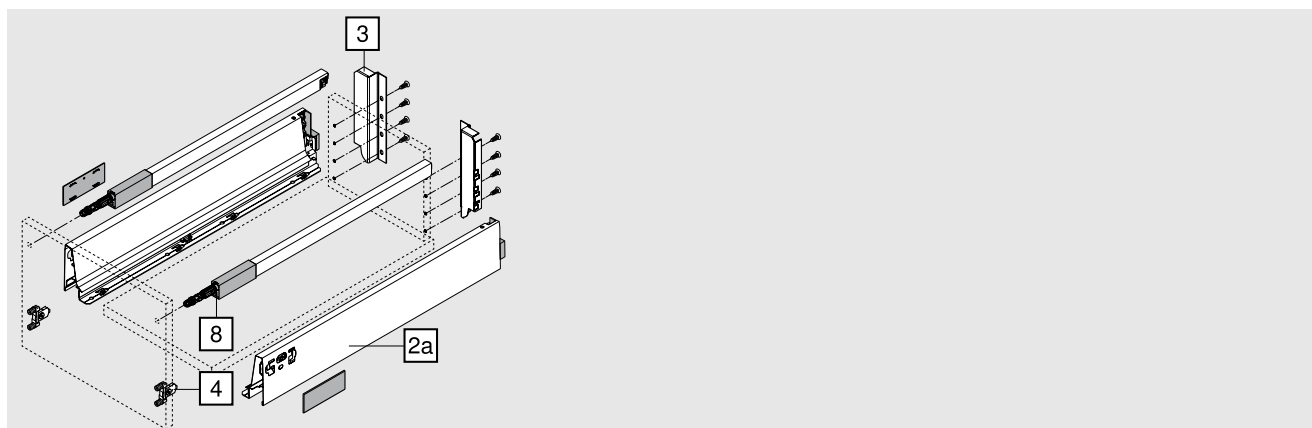
- High fronted pull-out with gallery
- Back height C
- Drawer sides made from epoxy coated steel (silk white) or stainless steel
- 3-dimensional front setting

Space requirement



NL Nominal length

Order specification

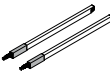



2a		M drawer side in A design left/right	
	Colour variants		SW Stainless steel
	Nominal length	VPEH	Steel
	450 mm	1 / 6	358M4502SA 358M4502IA
	500 mm	1 / 6	358M5002SA 358M5002IA
	550 mm	1 / 6	358M5502SA 358M5502IA


TANDEMBOX antaro


High fronted pull-out with gallery - height C

Order specification

	8 Gallery left/right			
	Colour variants		SW	Stainless steel
	Nominal length		VPEH Steel	
	450 mm	1 / 30	ZRG.387RSIC	ZRG.387RIIC
	500 mm	1 / 30	ZRG.437RSIC	ZRG.437RIIC
550 mm	1 / 30	ZRG.487RSIC	ZRG.487RIIC	

	3 Back fixing left/right			
	Colour variants		SW	Nickel plated
	VPEH		Steel	
	1 / 50	Z30C000S		

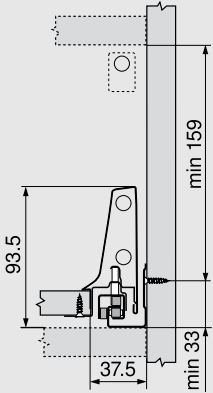
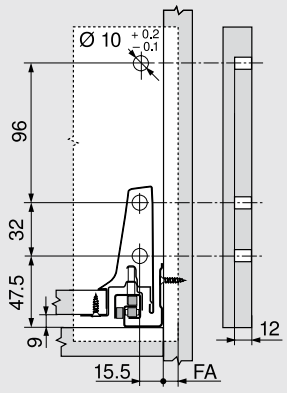
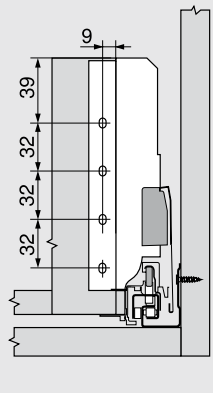
	4 Front fixing brackets for high fronted pull-out			
	VPEH			
	INSERTA version	500	ZSF.3902	
Screw-on version	500	ZSF.3502		

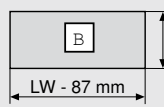
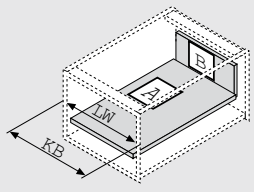
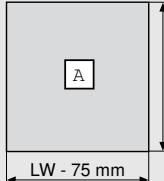
	Front stabilisation			
	- For stabilising wide and high fronts	VPEH		
	- Reinforces the connection between the drawer side and the front	250	Z96.10E1	
Planning				21

TANDEMBOX antaro

High fronted pull-out with gallery - height C

Planning

Space requirements in cabinet	Front dimensions	Back installation dimensions	
	<p>FA Front overlay</p> 		

Cutting dim. for 16 mm chipboard		
 <p>Back 167 mm LW - 87 mm</p>		
 <p>Base Chipboard back NL - 24 mm LW - 75 mm</p>		<p>KB Cabinet width LW Inner cabinet width NL Nominal length</p>

Page instructions		
Assembly, removal and setup	23	

TANDEMBOX antaro

Inner pull-out with gallery - height C

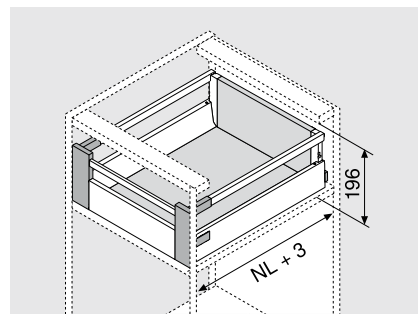
Product



Description

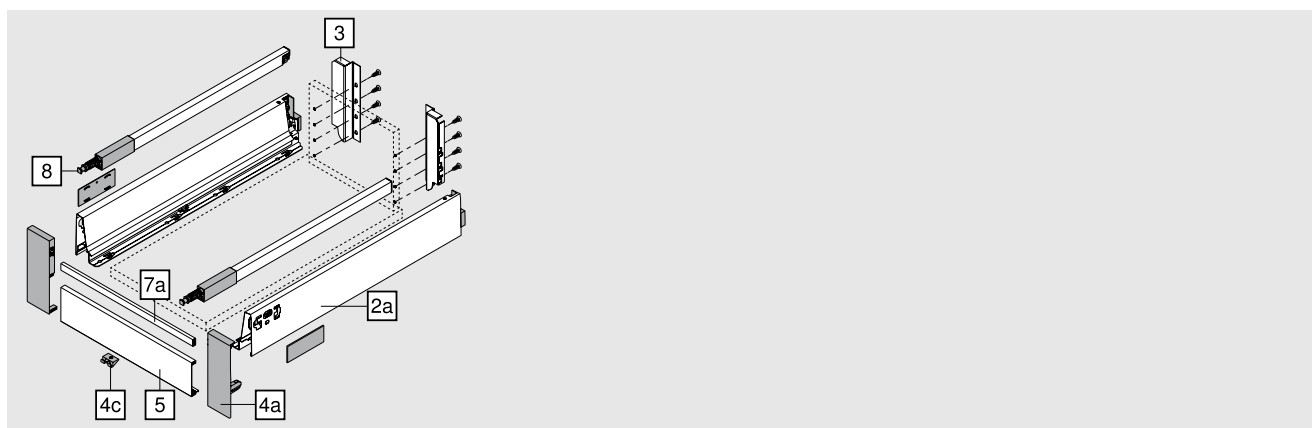
- Inner pull-out with gallery
- Back height C
- Front piece, drawer sides and gallery made from epoxy coated steel (silk white) or stainless steel

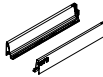
Space requirement



NL Nominal length

Order specification

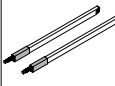


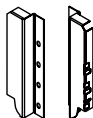
2a	M drawer side in A design left/right			
	Colour variants		SW Stainless steel	
	Nominal length	VPEH	Steel	
	450 mm	1 / 6	358M4502SA	358M4502IA
	500 mm	1 / 6	358M5002SA	358M5002IA
550 mm	1 / 6	358M5502SA	358M5502IA	

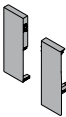
TANDEMBOX antaro

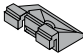
Inner pull-out with gallery - height C


Order specification


	8 Gallery left/right			
	Colour variants		SW	Stainless steel
	Nominal length		VPEH	Steel
	450 mm	1 / 30	ZRG.387RSIC	ZRG.387RIIC
	500 mm	1 / 30	ZRG.437RSIC	ZRG.437RIIC
550 mm	1 / 30	ZRG.487RSIC	ZRG.487RIIC	

	3 Back fixing left/right			
	Colour variants		SW	Nickel plated
	VPEH		Steel	
	1 / 50	Z30C000S		

	4a Front fixing left/right			
	Colour variants		SW	RAL7037
	VPEH		Nylon	
	1 / 12	ZIF.74C0		

	4c Locking piece			
	Colour variants		White	
	VPEH		Nylon	
	250	Z31A0008		

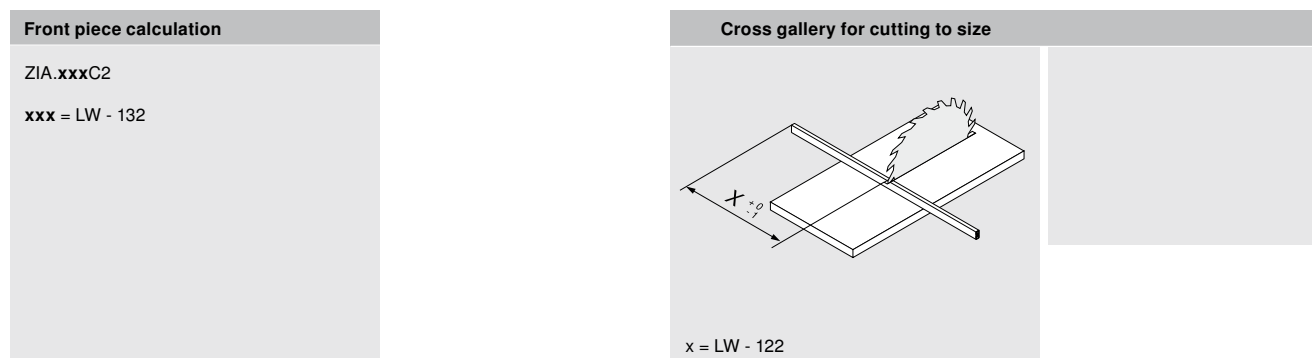
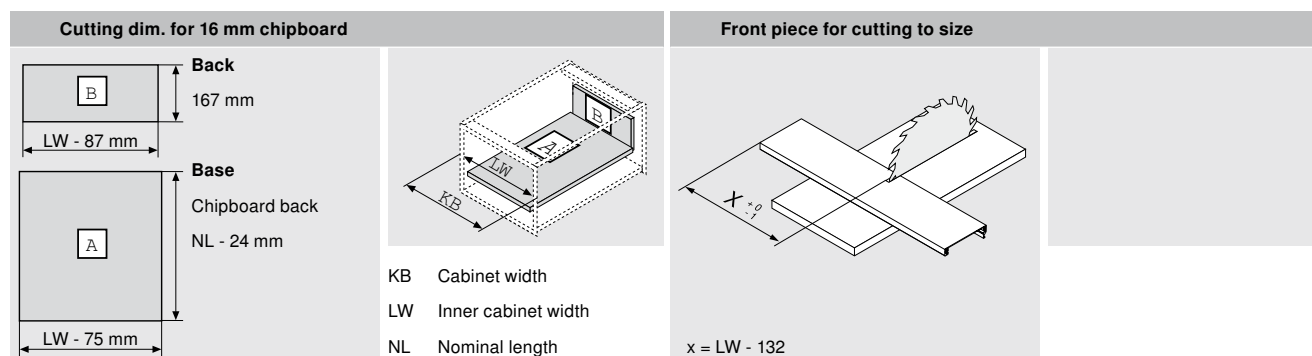
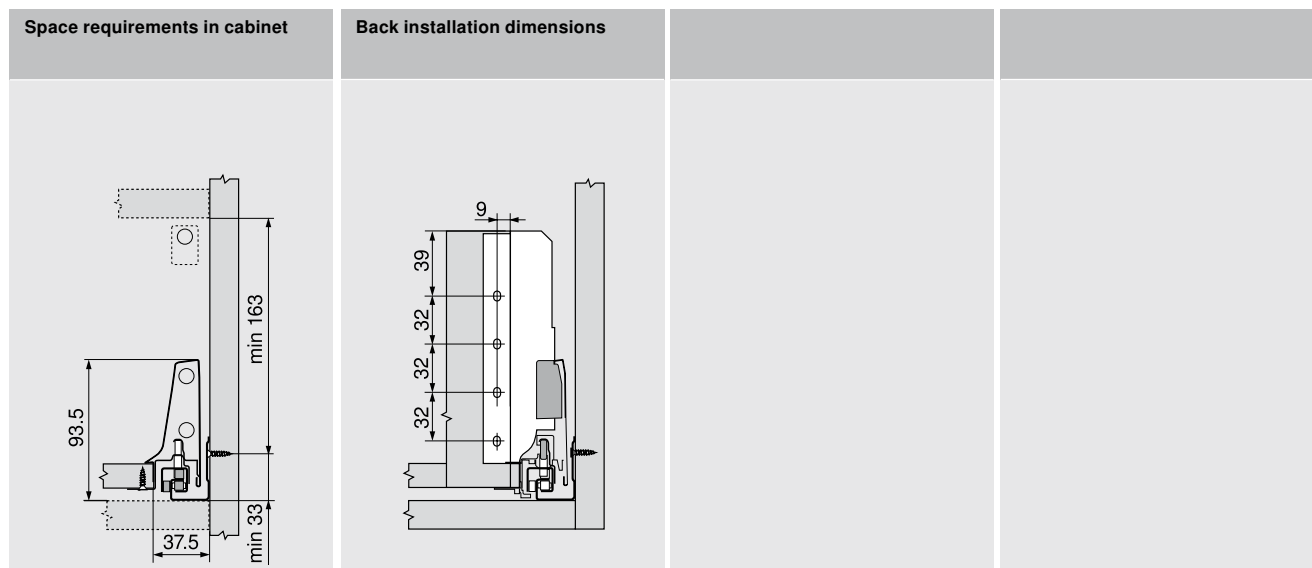
	5 Front piece for cutting to size			
	Colour variants		SW	Nickel plated
	VPEH		Aluminium	
for cutting to size	1 / 12	Z31L1036A		

	7a Cross gallery for cutting to size			
	Colour variants		SW	Nickel plated
	VPEH		Aluminium	
for cutting to size	20	ZRG.1046Z		

TANDEMBOX antaro

Inner pull-out with gallery - height C

Planning



Page instructions		
Assembly, removal and setup	27	

TANDEMBOX antaro

High fronted pull-out with gallery - height B

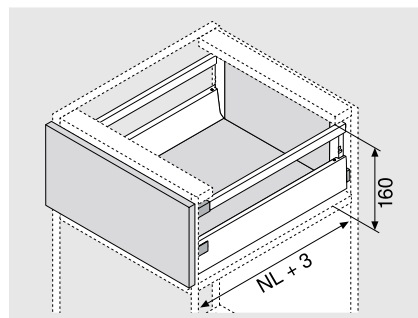
Product



Description

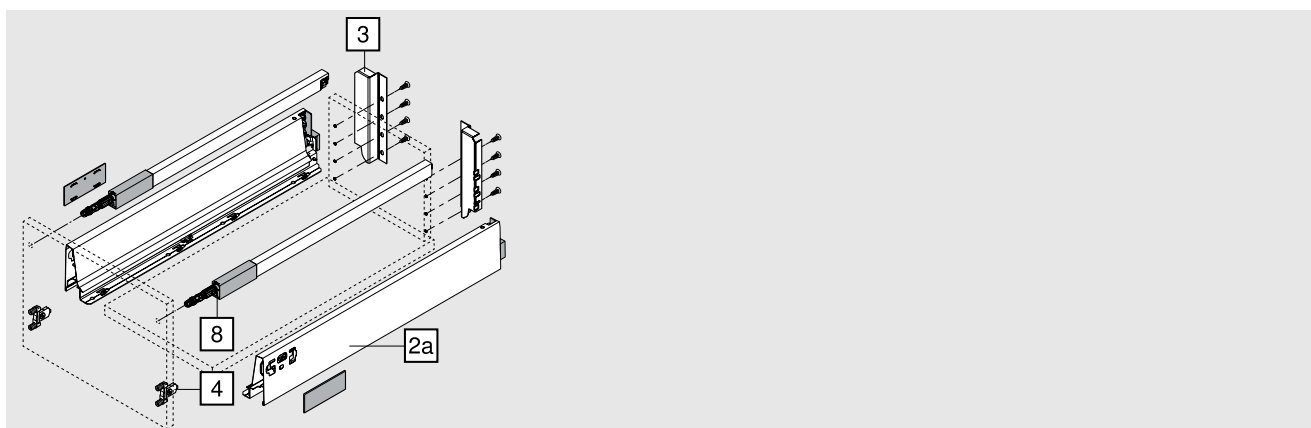
- High fronted pull-out with gallery
- Back height B
- Drawer sides made from epoxy coated steel (silk white) or stainless steel
- 3-dimensional front setting

Space requirement



NL Nominal length

Order specification

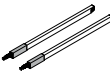



2a		M drawer side in A design left/right	
	Colour variants		SW Stainless steel
	Nominal length	VPEH	Steel
	450 mm	1 / 6	358M4502SA 358M4502IA
	500 mm	1 / 6	358M5002SA 358M5002IA
	550 mm	1 / 6	358M5502SA 358M5502IA


TANDEMBOX antaro


High fronted pull-out with gallery - height B

Order specification

	8 Gallery left/right			
	Colour variants		SW	Stainless steel
	Nominal length		VPEH Steel	
	450 mm	1 / 30	ZRG.387RSIC	ZRG.387RIIC
	500 mm	1 / 30	ZRG.437RSIC	ZRG.437RIIC
550 mm	1 / 30	ZRG.487RSIC	ZRG.487RIIC	

	3 Back fixing left/right			
	Colour variants		SW	Nickel plated
	VPEH		Steel	
	1 / 50	Z30B000S		

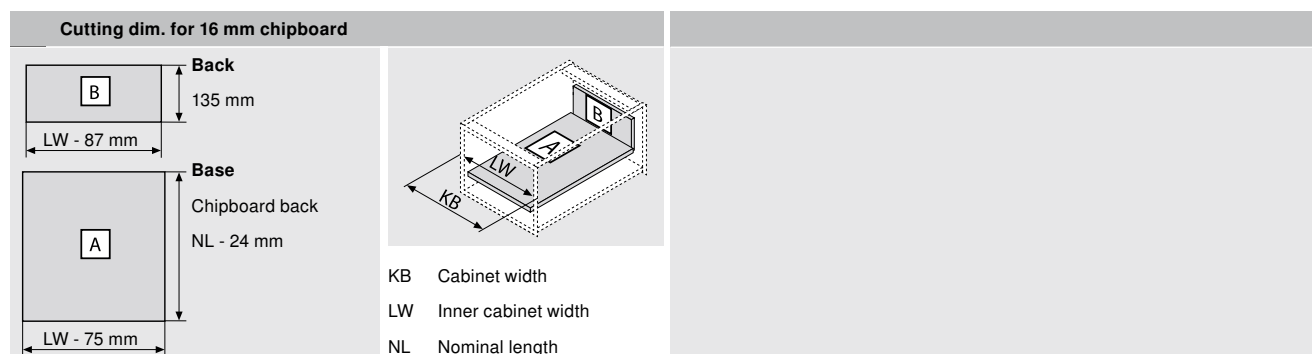
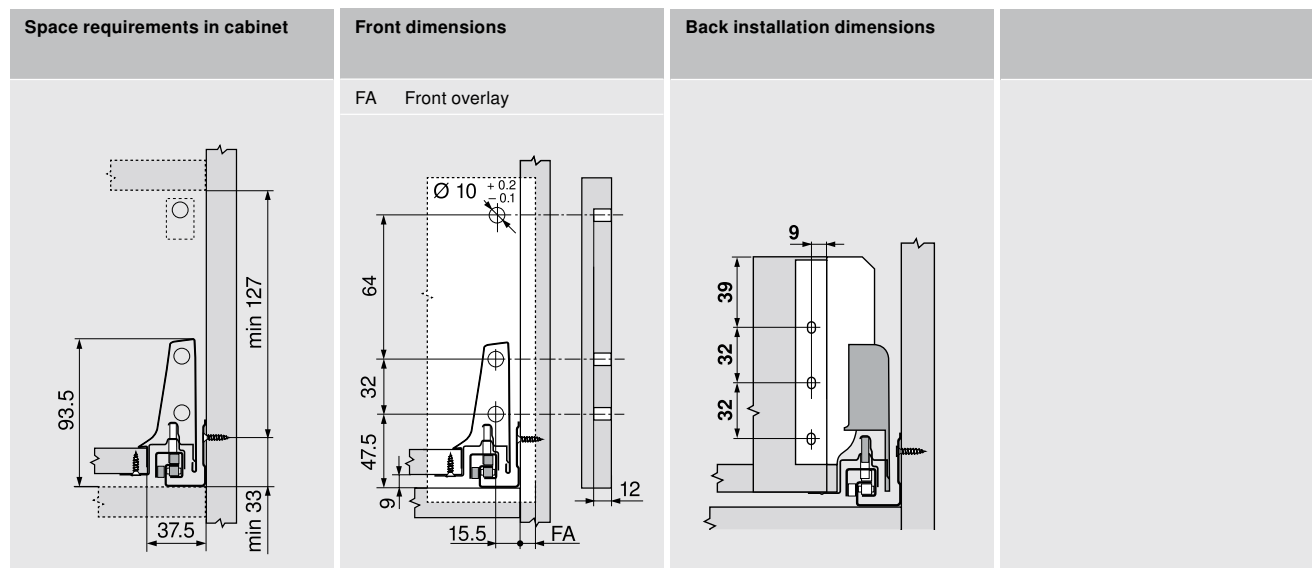
	4 Front fixing brackets for high fronted pull-out			
	VPEH			
	INSERTA version	500	ZSF.3902	
Screw-on version	500	ZSF.3502		

	Front stabilisation			
	- For stabilising wide and high fronts	VPEH		
	- Reinforces the connection between the drawer side and the front	250	Z96.10E1	
Planning				21

TANDEMBOX antaro

High fronted pull-out with gallery - height B

Planning



Page instructions	
Assembly, removal and setup	23

TANDEMBOX antaro

Drawer - height M

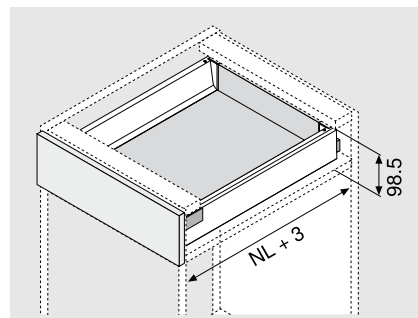
Product



Description

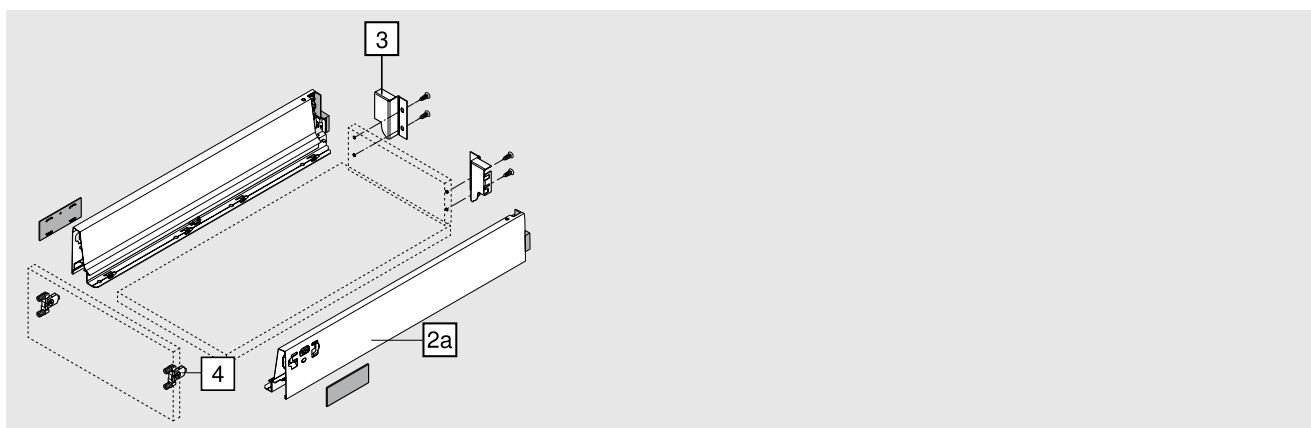
- Suitable drawers for TANDEMBOX antaro
- Drawer sides made from epoxy coated steel (silk white, terra black, ice silver, RAL9006) and stainless steel
- 2-dimensional front setting

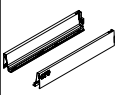
Space requirement





NL Nominal length

Order specification



2a	M drawer side in A design left/right		
	Colour variants		SW Stainless steel
	Nominal length	VPEH	Steel
	450 mm	1 / 6	358M4502SA 358M4502IA
	500 mm	1 / 6	358M5002SA 358M5002IA
	550 mm	1 / 6	358M5502SA 358M5502IA

3	Back fixing left/right		
	Colour variants		SW Nickel plated
		VPEH	Steel
		1 / 50	Z30M000S.04

4	Front fixing brackets for high fronted pull-out		
		VPEH	
	INSERTA version	500	ZSF.3902
	Screw-on version	500	ZSF.3502

TANDEMBOX antaro

Drawer - height M

Planning

Space requirements in cabinet	Front drilling distance for latch	Back installation dimensions	
	FA Front overlay 		

Cutting dim. for 16 mm chipboard			
	Back 84 mm LW - 87 mm		
	Base Chipboard back NL - 24 mm LW - 75 mm	KB Cabinet width LW Inner cabinet width NL Nominal length	

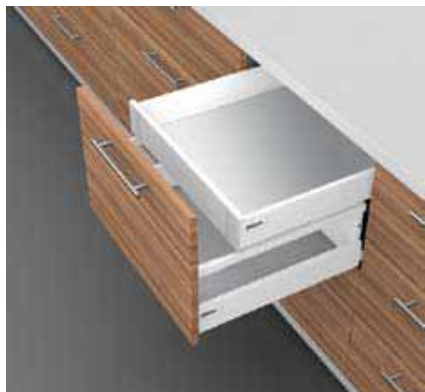
--	--	--	--

Page instructions		
Assembly, removal and setup	31	

TANDEMBOX antaro

Inner drawer - height M

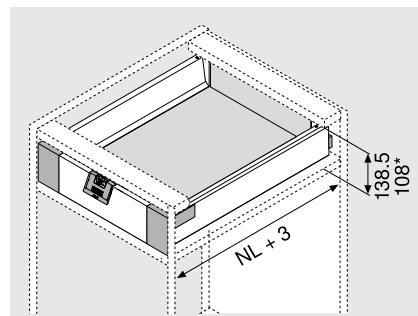
Product



Description

- Suitable inner drawers for TANDEMBOX antaro
- Back height M
- Front piece, drawer sides and gallery made from epoxy coated steel (silk white) or stainless steel

Space requirement



NL Nominal length

* With handle ZIF.80M7

Order specification




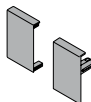
2a	M drawer side in A design left/right		
	Colour variants		SW Stainless steel
	Nominal length	VPEH	Steel
	450 mm	1 / 6	358M4502SA 358M4502IA
	500 mm	1 / 6	358M5002SA 358M5002IA
	550 mm	1 / 6	358M5502SA 358M5502IA

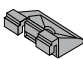
TANDEMBOX antaro

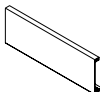
Inner drawer - height M


Order specification

3	Back fixing left/right		
		Colour variants	SW Nickel plated
		VPEH	Steel
		1 / 50	Z30M000S.04

4a	Front fixing left/right		
		Colour variants	SW RAL7037
		VPEH	Nylon
		1 / 20	ZIF.71M0

4c	Locking piece		
		Colour variants	White
		VPEH	Nylon
		250	Z31A0008

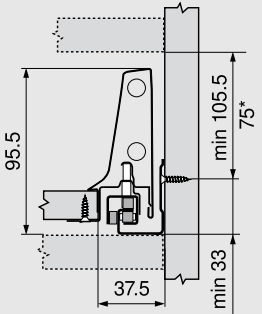
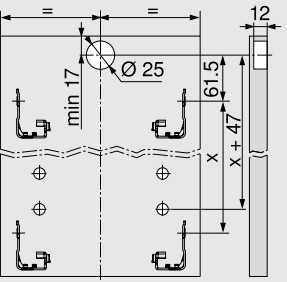
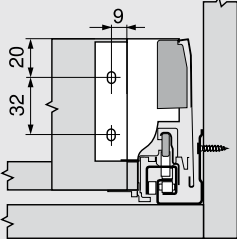
5	Front piece for cutting to size		
		Colour variants	SW Nickel plated
		VPEH	Aluminium
		for cutting to size	12

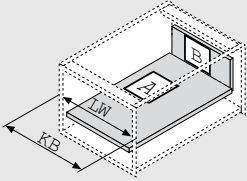
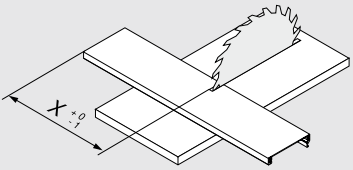
6b	Handle and latch (optional)		
		Colour variants	SW RAL7037
		VPEH	Nylon
		1 / 25	ZIF.80M7

TANDEMBOX antaro

Inner drawer - height M

Planning

Space requirements in cabinet	Front drilling distance for latch	Back installation dimensions	
<p>* With ZIF.80M7 height 75 and higher possible</p> 			

Cutting dim. for 16 mm chipboard		Front piece for cutting to size	
<p>Back 84 mm LW - 87 mm</p> <p>Base Chipboard back NL - 24 mm LW - 75 mm</p>	 <p>KB Cabinet width LW Inner cabinet width NL Nominal length</p>	 <p>$x = LW - 132$</p>	

Front piece calculation
<p>ZIA.xxxM0</p> <p>xxx = LW - 132</p>

Page instructions		
<p>Assembly, removal and setup</p>	<p>33</p>	

TANDEMBOX antaro

Accessories – Front stabilisation

Planning

Space requirements in cabinet	Front dimensions		
